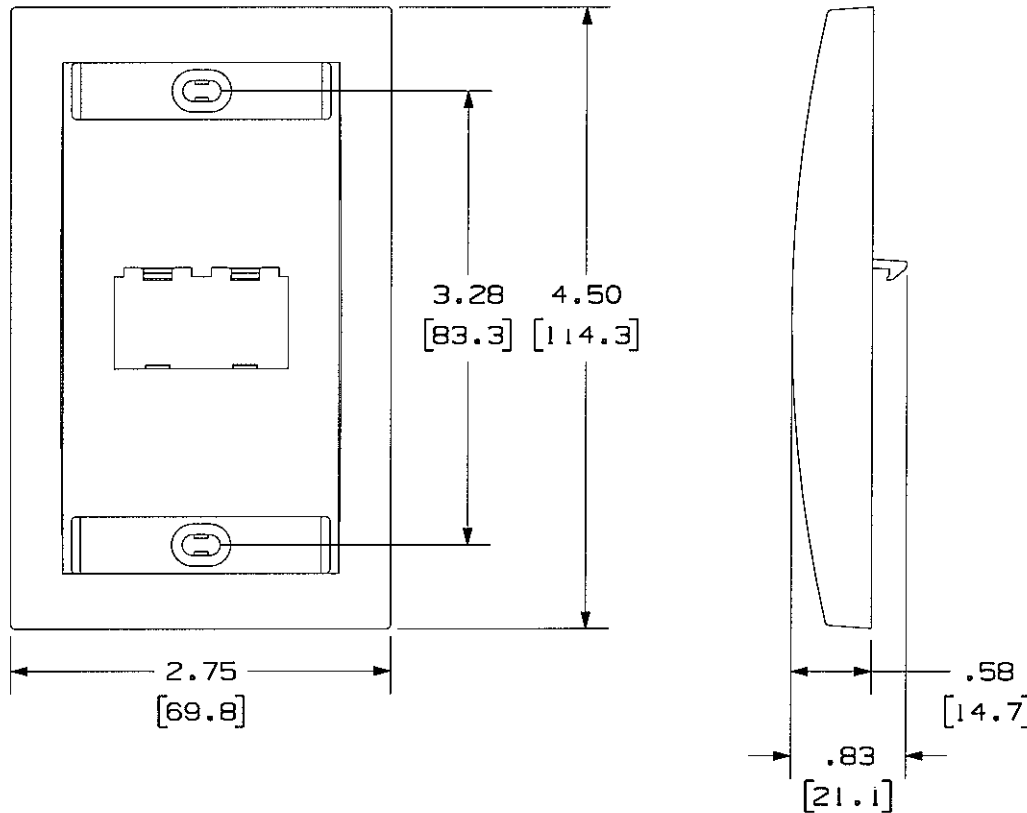


THIS COPY IS PROVIDED ON A RESTRICTED BASIS AND IS NOT TO BE USED IN ANY WAY DETRIMENTAL TO THE INTERESTS OF PANDUIT CORP.

PANDUIT P/N	WEIGHT
CFKE2A6U6J	1.03 LB/10 PCS (467.2 g/10 PCS)



NOTES:

- SEE CURRENT CATALOG FOR ADDITIONAL PART NUMBER SUFFIXES TO INDICATE COLOR AND OR PACKAGE QUANTITY.
- SEE CATALOG FOR COMPLETE LIST OF PARTS APPLICABLE FOR USE WITH THIS PART.
- DIMENSIONS IN ! ! ARE IN METRIC.
- PART INCLUDES:
 - 1- FACEPLATE (1W)
 - 2- LABEL
 - 2- LABEL COVER
 - 2- MOUNTING SCREW
 - 1- MINI-COM TX6 PLUS JACK MODULE (CJ688TGBU)
 - 1- MINI-COM TX6 PLUS JACK MODULE (CJ688TGOR)

DRAWING FILENAME	M00741ND_DC122_00A.PRT	SIZE	A
------------------	------------------------	------	---

MINI-COM 2 POSITION EXECUTIVE SERIES
FACEPLATE KIT CUSTOMER DRAWING



1.1. NUMBER	N/A
PRODUCT SPEC	N/A
WORK INSTRUCTION	N/A
SCALE	NONE
PART NO.	CFKE2A6U6J
DRAWING NO.	00741-122

ALL DIMENSIONS ARE GIVEN IN INCHES, UNLESS OTHERWISE SPECIFIED.
DIMENSIONAL TOLERANCES ARE:
(.X) ± (.XXX) ± .010(.3)
(.XX) ± .031(.8) ANGLES ±

THIRD ANGLE PROJECTION	MATERIAL: ABS
DRAWN BY: JsP	DATE: 10-4-06
CHK'D: [Signature]	

REV	DATE	BY	CHK	DESCRIPTION	ECN	R	CUST	SUP	OTH
R	10-4-06	JsP	[Signature]	RELEASED TO PRODUCTION	00741-122	[Signature]	[Signature]		